

# Hollow Shaft Encoder

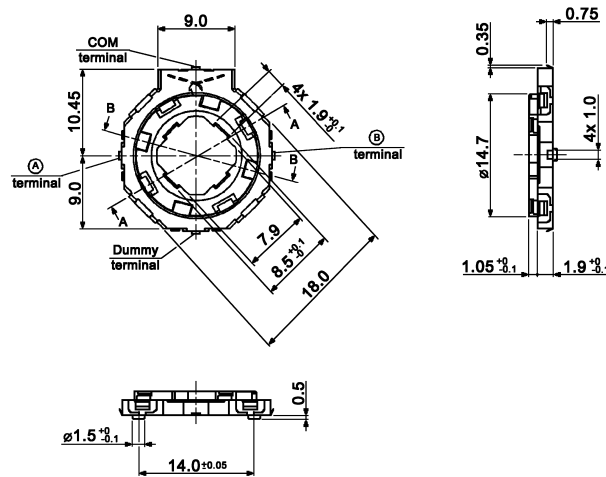


## Specifications:

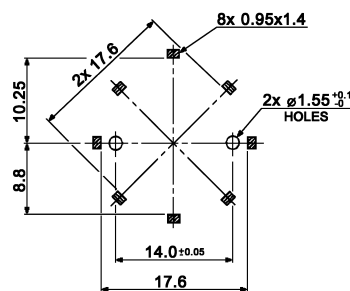
Contact rating:	5 V DC, 10 mA
Contact resistance:	< 1 Ω
Insulation resistance:	> 100 MΩ
Dielectric strength:	100 V, 50 Hz for the duration of 1 minute
Operating temperature:	-10 °C to +60 °C
Rotational torque:	0.3 ± 0.05 Ncm
Pulses/Detents per turn:	24/24
Mechanical life:	minimum 50 000 turns
Contacts and terminals:	silver-plated
Mounting:	on pc-board – SMD
Soldering conditions:	reflow-soldering, max. 10 sec, max. 240 °C

## Models:

MER1045-24



10



## Output signal format:

